

Furniture depth 450 mm:
Order form template D washbasin board with washbasin EDITION 11

Customer		KEUCO Fax: +49 (2372) 904 236 E-Mail: info@keuco.de
Contact Person		
Contact Details		
Ref. or Commission		

Article No. 31403 000001	Total width: Dim. A = _____ mm
--------------------------	--------------------------------

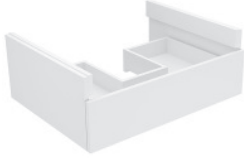



Single-washbasin (if not then direct to double washbasins)	
Washbasin EDITION 11	<input type="checkbox"/> 438 mm Position: Dim. B = _____ mm (from left to centre of washbasin)
Surface:	Colour No.
Structured lacquer	<input type="checkbox"/> 37 <input type="checkbox"/> 38 <input type="checkbox"/> 39 <input type="checkbox"/> 45 <input type="checkbox"/> 46 <input type="checkbox"/> 47
Veneer	<input type="checkbox"/> 68 <input type="checkbox"/> 86 <input type="checkbox"/> 87
High gloss lacquer	<input type="checkbox"/> 21





Double-washbasin	
Washbasin EDITION 11	<input type="checkbox"/> 438 mm Position: Dim. B1 = _____ mm Dim. B2 = _____ mm (from left to centre of washbasin)
Surface:	Colour No.
Structured lacquer	<input type="checkbox"/> 37 <input type="checkbox"/> 38 <input type="checkbox"/> 39 <input type="checkbox"/> 45 <input type="checkbox"/> 46 <input type="checkbox"/> 47
Veneer	<input type="checkbox"/> 68 <input type="checkbox"/> 86 <input type="checkbox"/> 87
High gloss lacquer	<input type="checkbox"/> 21

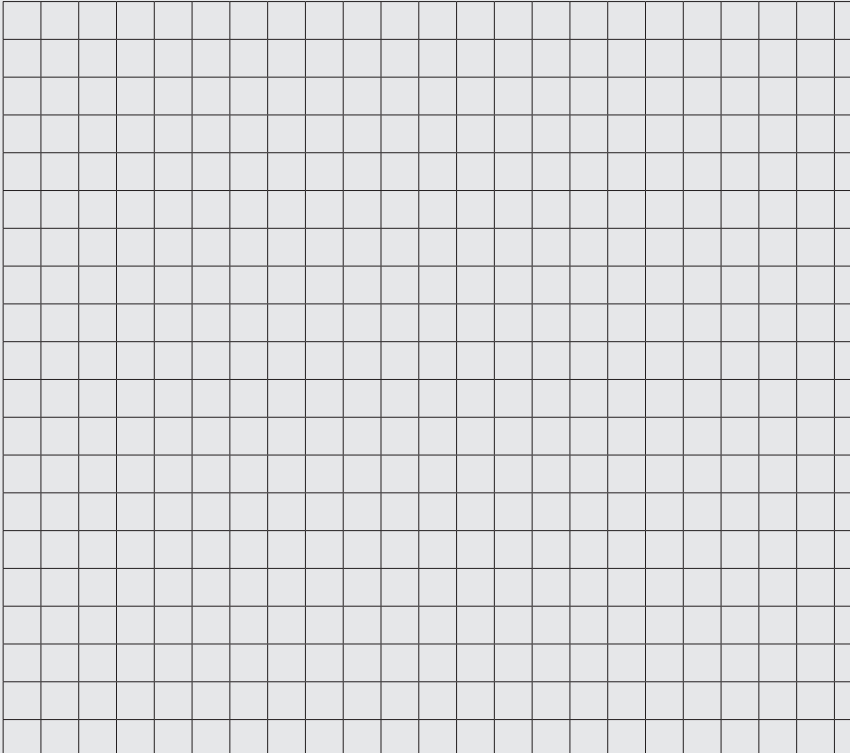
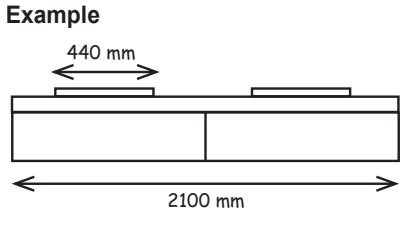
Side panels	<input type="checkbox"/> without <input type="checkbox"/> right <input type="checkbox"/> left <input type="checkbox"/> each sides (The front of the side panels correspond to the wasbasin board)
-------------	---

Base cabinet module (directly under the board)		
<i>Please note: All further componets, see next page. Same surface as washbasin board Subbase constructed in sequence = from left to right under the board</i>		
Specify art. no.		
1. Modul <input type="checkbox"/>	2. Modul <input type="checkbox"/>	3. Modul <input type="checkbox"/>
Article No. _____	Article No. _____	Article No. _____

**Furniture depth 450 mm:
Order form template D washbasin board with washbasin EDITION 11**

Base cabinet module (directly under the board)				
with siphon cutaway	Height of drawer front			
	180 mm	270 mm	180 mm + 180 mm	180 mm + 270 mm
				
Width:	Article No.			
700 mm	31440 XX0101	31441 XX0101	31442 XX0101	31443 XX0101
1050 mm	31450 XX0101	31451 XX0101	31452 XX0101	31453 XX0101
1400 mm	31460 XX0101	31461 XX0101	31462 XX0101	31463 XX0101

without siphon cutaway	Height of drawer front			
	180 mm	270 mm	180 mm + 180 mm	180 mm + 270 mm
				
Width:	Article No.			
700 mm	31440 XX0001	31441 XX0001	31442 XX0001	31443 XX0001
1050 mm	31450 XX0001	31451 XX0001	31452 XX0001	31453 XX0001
1400 mm	31460 XX0001	31461 XX0001	31462 XX0001	31463 XX0001

Draft / Sketch	Example
	

Note: All further componets, e.g. washbasins, base cabinet module must be ordered separately!