

**Furniture depth 535 mm:**  
**Order form template B** washbasin board with washbasin EDITION 11 / ROYAL 60

Customer		<b>KEUCO</b>  Fax: +49 (2372) 904 236 E-Mail: info@keuco.de
Contact Person		
Contact Details		
Ref. or Commission		

Article No. 31402 000000	Total width: Dim. A = _____ mm
--------------------------	--------------------------------

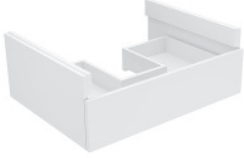



<b>Single-washbasin</b> (if not then direct to double washbasins)	
Washbasin EDITION 11/ROYAL 60	<input type="checkbox"/> 700 mm <input type="checkbox"/> 1050 mm <input type="checkbox"/> 1400 mm  Position: Dim. B = _____ mm (from left to centre of washbasin)
Surface:	Colour No.
Structured lacquer	<input type="checkbox"/> 37 <input type="checkbox"/> 38 <input type="checkbox"/> 39 <input type="checkbox"/> 45 <input type="checkbox"/> 46 <input type="checkbox"/> 47
Veneer	<input type="checkbox"/> 68 <input type="checkbox"/> 86 <input type="checkbox"/> 87
High gloss lacquer	<input type="checkbox"/> 21





<b>Double-washbasin</b>	
Washbasin EDITION 11/ROYAL 60	<input type="checkbox"/> 700 mm Position: Dim. B1 = _____ mm Dim. B2 = _____ mm (from left to centre of washbasin)
Surface:	Colour No.
Structured lacquer	<input type="checkbox"/> 37 <input type="checkbox"/> 38 <input type="checkbox"/> 39 <input type="checkbox"/> 45 <input type="checkbox"/> 46 <input type="checkbox"/> 47
Veneer	<input type="checkbox"/> 68 <input type="checkbox"/> 86 <input type="checkbox"/> 87
High gloss lacquer	<input type="checkbox"/> 21

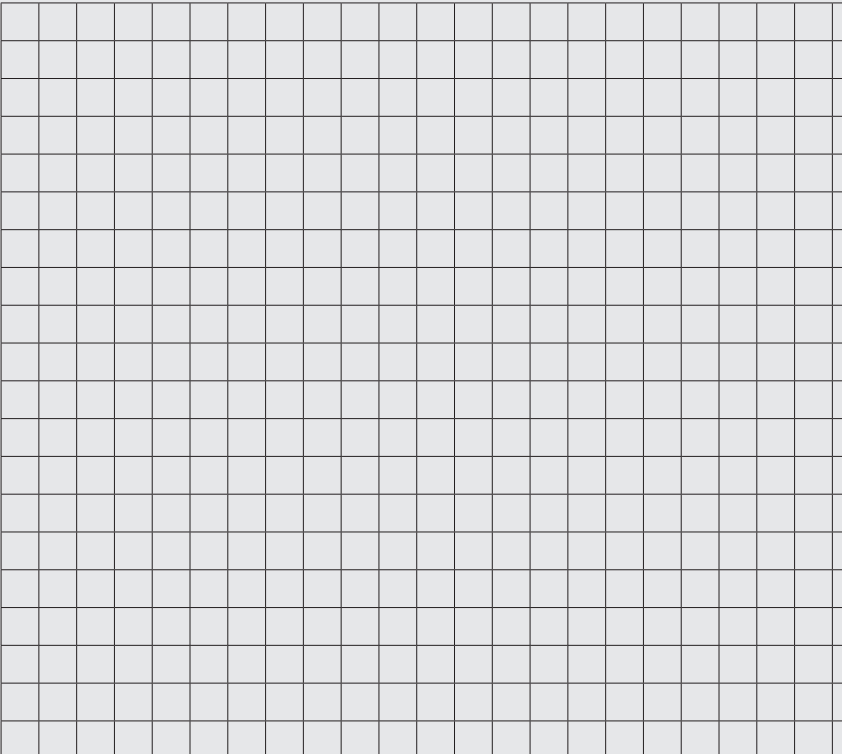
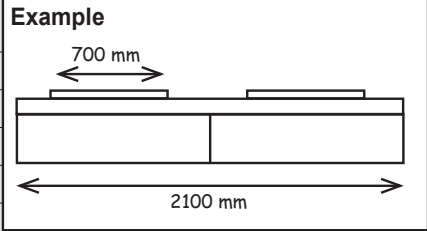
Side panels	<input type="checkbox"/> without <input type="checkbox"/> right <input type="checkbox"/> left <input type="checkbox"/> each sides (The front of the side panels correspond to the wasbasin board)
-------------	---

<b>Base cabinet module</b> (directly under the board)		
<i>Please note: All further componets, see next page. Same surface as washbasin board Subbase constructed in sequence = from left to right under the board</i>		
Specify art. no.		
1. Modul <input type="checkbox"/>	2. Modul <input type="checkbox"/>	3. Modul <input type="checkbox"/>
Article No. _____	Article No. _____	Article No. _____

**Furniture depth 535 mm:**  
**Order form template B** washbasin board with washbasin EDITION 11 / ROYAL 60

Base cabinet module (directly under the board)				
with siphon cutaway	Height of drawer front			
	180 mm	270 mm	180 mm + 180 mm	180 mm + 270 mm
				
Width:	Article No.			
700 mm	31440 XX0100	31441 XX0100	31442 XX0100	31443 XX0100
1050 mm	31450 XX0100	31451 XX0100	31452 XX0100	31453 XX0100
1400 mm	31460 XX0100	31461 XX0100	31462 XX0100	31463 XX0100

without siphon cutaway	Height of drawer front			
	180 mm	270 mm	180 mm + 180 mm	180 mm + 270 mm
				
Width:	Article No.			
700 mm	31440 XX0000	31441 XX0000	31442 XX0000	31443 XX0000
1050 mm	31450 XX0000	31451 XX0000	31452 XX0000	31453 XX0000
1400 mm	31460 XX0000	31461 XX0000	31462 XX0000	31463 XX0000

Draft / Sketch	Example
	

**Note: All further components, e.g. washbasins, base cabinet module must be ordered separately!**