

KEUCO

IXMO SOLO

Minimalism in the shower

Art.-Nr.: 03507370401 IXMO SOLO, englisch, 10/16

KEUCO GmbH & Co. KG
Postfach 1365
58653 Hemer
Telephone +49 2372 904-0
Telefax +49 2372 904-236
info@keuco.de
www.keuco.de

KEUCO



Systematic further development

"In bathroom design many are talking about reduction. But not many actually consistently put it into practice. With the IXMO fittings concept we took a new approach in 2015. We integrated functionality in an innovative way and radically pared down the design. With IXMO SOLO we have now gone even a step further.

Because, with immediate effect, all that sophisticated customers need for a complete shower solution is one single fitting element on the wall. This minimalism sets a new standard in bathroom furnishing."

Hartmut Dalheimer, Managing Director KEUCO

The new minimalism in the shower

With the new member of the IXMO family the motto "less can do more" has never been so true. IXMO SOLO is a genuine functional wonder: The impressive thing about this little module is its intelligent combination of innovative technology and minimalist design.

The result is a fitting that uniquely combines single-lever mixer and hose connection. A minimum in installation work and a maximum in convenience – because, all that is necessary for a complete shower solution is IXMO SOLO and no other water-conducting element.

The product design of IXMO SOLO is so consistent and small that it produces a picture of perfection in the shower wherever it is in use. And with the round or rectangular decor disc alternatives, IXMO SOLO also perfectly matches all other KEUCO lines.

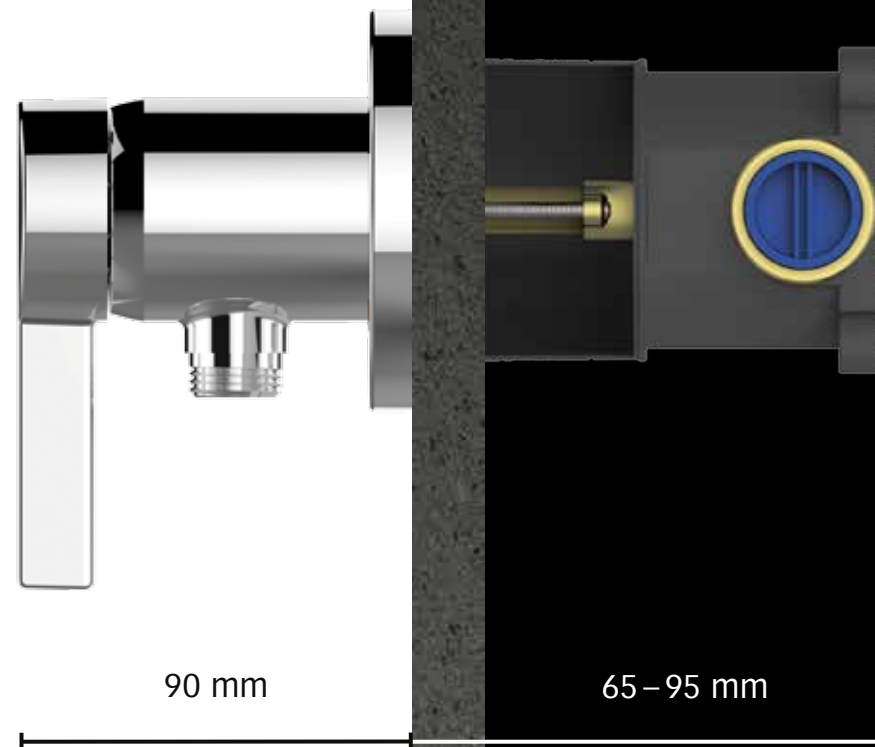


Brilliant in front of and behind the wall

The special thing about the IXMO SOLO module is its small and uniform dimensions. It always projects out exactly 90 mm from the wall. The diameter or the edge length in the round or rectangular decor disc alternatives is also 90 mm.

The in-wall installation unit can be installed without difficulty in thin walls or during subsequent modernisation work. What makes this possible is the minimum installation depth of 65 mm. And thanks to the intelligent depth-compensation feature, it can be flexibly adjusted by any amount from **65 to 95 mm**.

But IXMO SOLO has even more beneficial features: At any time the water temperature and flow rate can be adjusted as needed. That saves energy and money. On top of that the IXMO SOLO is extremely easy to clean, because everything is contained in only one element on the wall.



90 mm

65 – 95 mm



59552



59552



51187



51587



59587

59552

Set consisting of:

– Single-lever mixer with wall outlet for shower hose DN 15

Mixing cartridge with ceramic sealing gaskets, temperature limiter and flow rate limiter, wall outlet for shower hose intrinsically safe against backflow in accordance with DIN EN 1717, 90 mm projection

Finish set consisting of:
Lever, sleeve, decor disc (round or rectangular), installation unit and wall outlet for shower hose

– In-wall installation unit for single-lever mixer with wall outlet for shower hose DN 15

Rough part for recessed installation, installation depth 65-95 mm

Classification according to noise group I and flow rate class A

51187

Shower set

consisting of:
– 900 mm rail with sliding bracket for shower head, height adjustment with handle, tilt angle adjustable to any position
– Hand shower with normal jet
– 1600 mm shower hose
– Tile compensation plate (5 mm)

51587

Shower set

consisting of:
– 900 mm rail with sliding bracket for shower head, height adjustment with handle, tilt angle adjustable to any position
– Hand shower with normal, soft and massage jet
– 1600 mm shower hose
– Tile compensation plate (5 mm)

59587

Shower set

consisting of:
– 800 mm rail with sliding bracket for shower head, height adjustment with handle, tilt angle adjustable to any position
– Hand shower with normal jet
– 1600 mm shower hose
– Tile compensation plate (5 mm)